

Junction Module (JM™) Enclosure with:



AS-Interface Power Conditioner Module (JMX05)

Converts any 30 VDC power supply to an AS-Interface Power Supply by providing the data decoupling function.

Can be used to power multiple AS-Interface segments with one power supply. Allows remote placement of the power supply that does not add to the AS-Interface Network total length.

Features

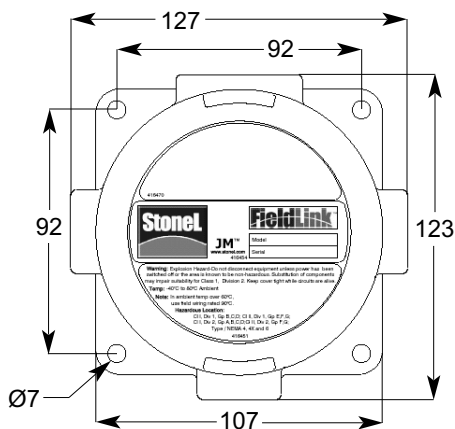
- Allows for a single power supply to power multiple AS-Interface segments
- Common terminals for power supply input.
- Allows for remote location of power supply
- LED indication of input voltage status

(See Page 3 detailed wiring instructions)

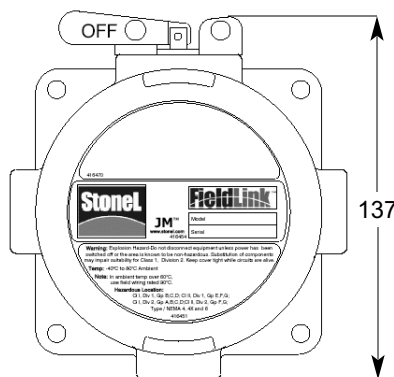


JM Enclosure Dimensions (in mm)

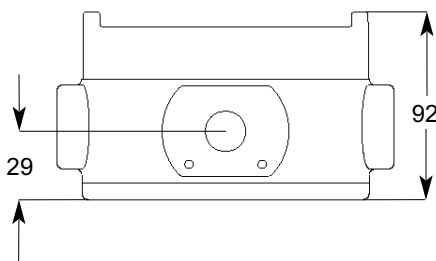
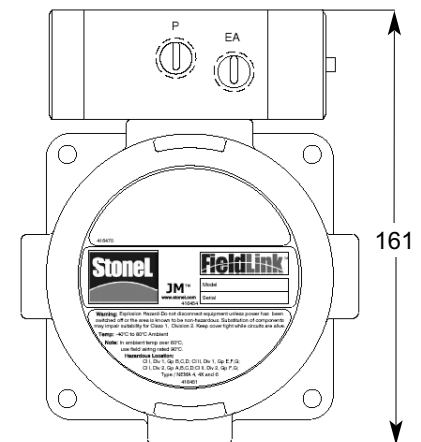
Standard Enclosure



Switched Enclosure



Enclosure w/Cyclone Valve



© 2001 StoneL Corporation

StoneL Corporation
 One StoneL Dr
 26275 US Hwy 59
 Fergus Falls, MN 56537
 USA

Telephone: 218.739.5774
 Toll Free: 800.843.7866
 Fax: 218.739.5776
 E-mail: sales@stonel.com
 Website: www.stonel.com

Example: JMX0511E3

Function		Solenoid	Enclosure	Conduit Entries
JM X05	AS-Interface Power Conditioner	11 No Solenoid (Not available with solenoid)	C Clear Cover E Epoxy Coated Aluminum	3 (3) 1/2" NPT N (4) 1/2" NPT 6 (3) M20 M (4) M20 9 (3) 3/4" NPT T (4) 3/4" NPT

General Specifications

Operating Life	Unlimited	Temperature Range	-40° to +80° C (-23° to 180° F)
Materials of Construction		Enclosure Protection	NEMA 4, 4X & 6; IP67
Housing and Cover	Marine grade anodized aluminum epoxy coating	Hazardous Area Ratings	
Clear Cover	Lexan® Polycarbonate	Explosion Proof (Aluminum Cover)	Class I, Div. 1 and 2, Groups B,C,D
Elastomer Seals	Buna-N		Class II, Div. 1 and 2, Groups E,F,G
Fasteners	Stainless Steel	Non-incendive (Clear Cover)	Class I, Div. 2, Groups A,B,C,D
Warranty			Class II, Div. 2, Groups E,F,G
Complete Assemblies	Two Years		(Not all units carry approvals, consult factory)

Lexan is a registered trademark of General Electric Corporation.

Mounting Instructions

Mounting The JM Enclosure

1. Locate the position where the JM enclosure will be mounted. Ensure that there is sufficient room to operate the disconnect switch levers and to remove the cover.
2. Attach the JM enclosure to a wall or other stationary flat surface using the mounting holes provided.
3. Secure the cover until hand tight

Attaching Conduit and Fittings

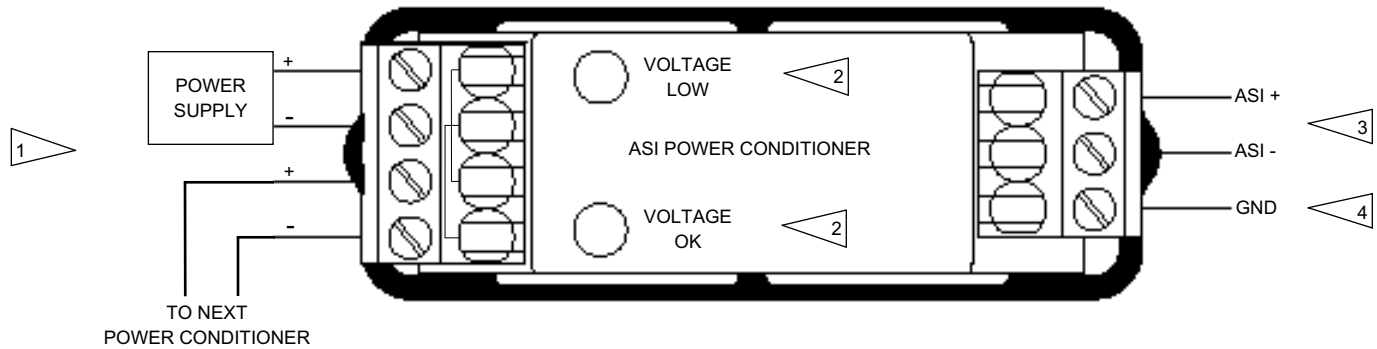
1. Conduit entries are provided for the convenient attachment of threaded conduit and threaded conduit fittings. Attach threaded fittings and conduits securely.
2. Follow all applicable NEC codes and other regulations.

Installing & Removing Cover

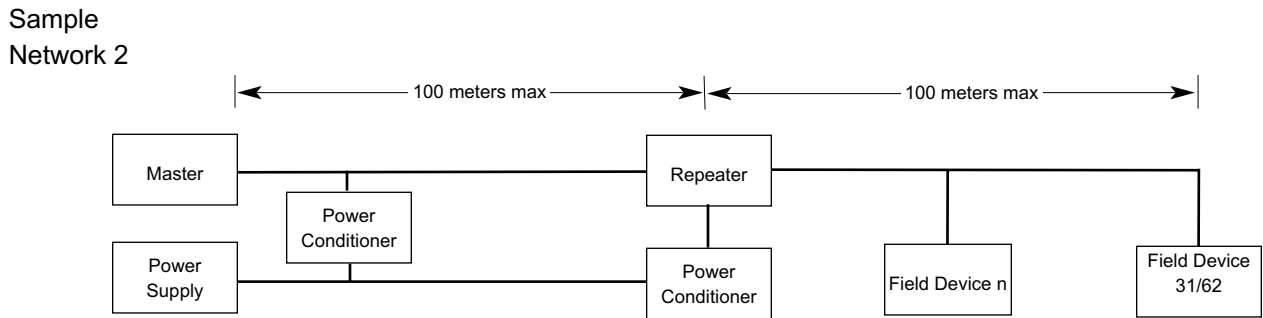
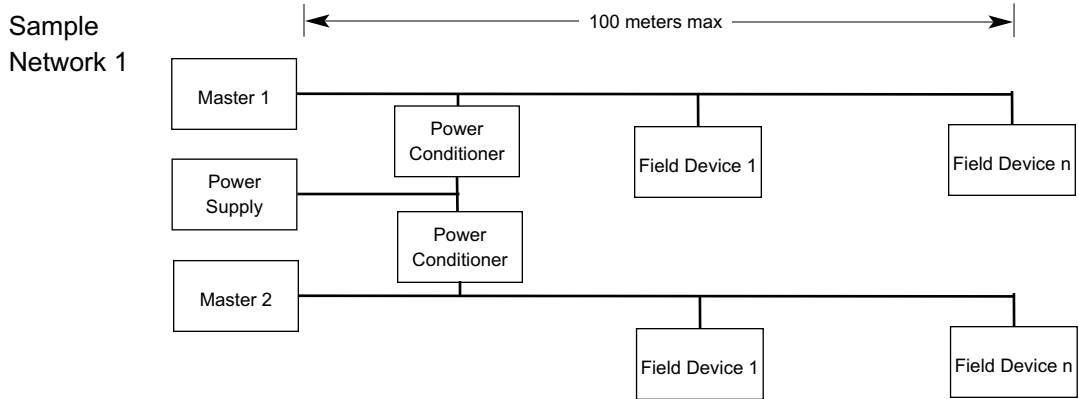
1. To insure NEMA 4, 4X, 6 and hazardous location ratings are maintained the cover **must be** completely closed and the O-Ring sealed to keep out water.

Input Voltage	26-32 VDC	Indication	Green LED indicates input power is good (≥ 26 VDC)
Max Voltage	35 VDC		Red LED indicates input power is low (< 26 VDC)
Max Current	3 Amps	Operating Life	Unlimited
		Warranty	Two Years

Power Conditioner Wiring Diagram and Installation Notes



Typical AS-Interface Networks using a standard ASi Power Conditioner



INSTALLATION NOTES:

1. Power supply connection points. (30 VDC; 3 A (max) power supplies recommended). (+) and (-) terminals are connected together internal to the Power Conditioner.
2. Input power supply voltage monitoring LED's. Voltage OK (Green LED) indicates input voltage is good (≥ 26 VDC). Voltage Low (Red LED) indicates input voltage is low (< 26 VDC)
3. AS-Interface network segment connection points.
4. Earth ground connection point. Do not use as a data cable shield termination point.